



Your **ONE-STOP** Shop



81 Series Heavy-Duty

Glynn-Johnson offers the most complete line of overhead holders and stops, providing solutions for the most complex door control problems. These surface-mounted holders and stops offer the most effective shock-absorbing capacity, helping protect doors, frames and hardware.

Glynn-Johnson 81 series holders and stops provide rugged, heavy-duty door control. The jointed-arm design provides the most effective stop mechanism available. The shock absorber bracket is surface mounted, usually with six bolts. The jamb bracket is mounted to the stop of the frame, so a minimum of door and frame preparation is required.

Two Models:

- 81H Series Hold-Open
- 81S Series Stop-Only

Four Sizes:

- Simple
- Standardized
- Each model is available in four sizes

Three Options:

- J—Angle Jamb Bracket
- SHIM—Blade Stop Shims
- SOC—Pin-in-Socket Security Screw Package

Unmatched Convenience:

- Reversible
- Single-Acting Doors
- Interior/Exterior Applications
- Durable
- Easy to Install

Materials and Finishes:

In Brass, Steel or 300 Stainless Steel, these models offer the broadest range of finishes in the industry, complementing any design. Stainless Steel models offer the highest resistance to corrosion. Available in the following finishes:

<u>Finishes</u>	<u>Description</u>
US3	Polished Brass
US4	Satin Brass
US10	Satin Bronze
US10B	Oil Rubbed Bronze
US32	Polished Stainless Steel
US32D	Satin Stainless Steel
652	Chrome-like Coating

Models

Designed for heavy-duty applications, these models provide long-lasting protection for doors, frames, hardware and surrounding walls or obstructions. They are compatible with most door closers and feature an extremely reliable Hold-Open function and rugged shock absorption. All models feature jointed-arm design and centered jamb bracket.

Designed for heavy-duty applications, 81 series models are ideal for doors that are opened frequently. They provide long-lasting protection to doors, frames, hinges, related hardware and surrounding walls or obstructions.

81H Series Hold-Open

(Suffix H) The Hold-Open model should be used when doors will need to be held open at a preset position for an extended period. This allows unobstructed traffic flow. Hold-Open model provides a selective Hold-Open function. A simple turn of the thumbturn disables the Hold-Open function, allowing the unit to serve as a shock absorbing stop.

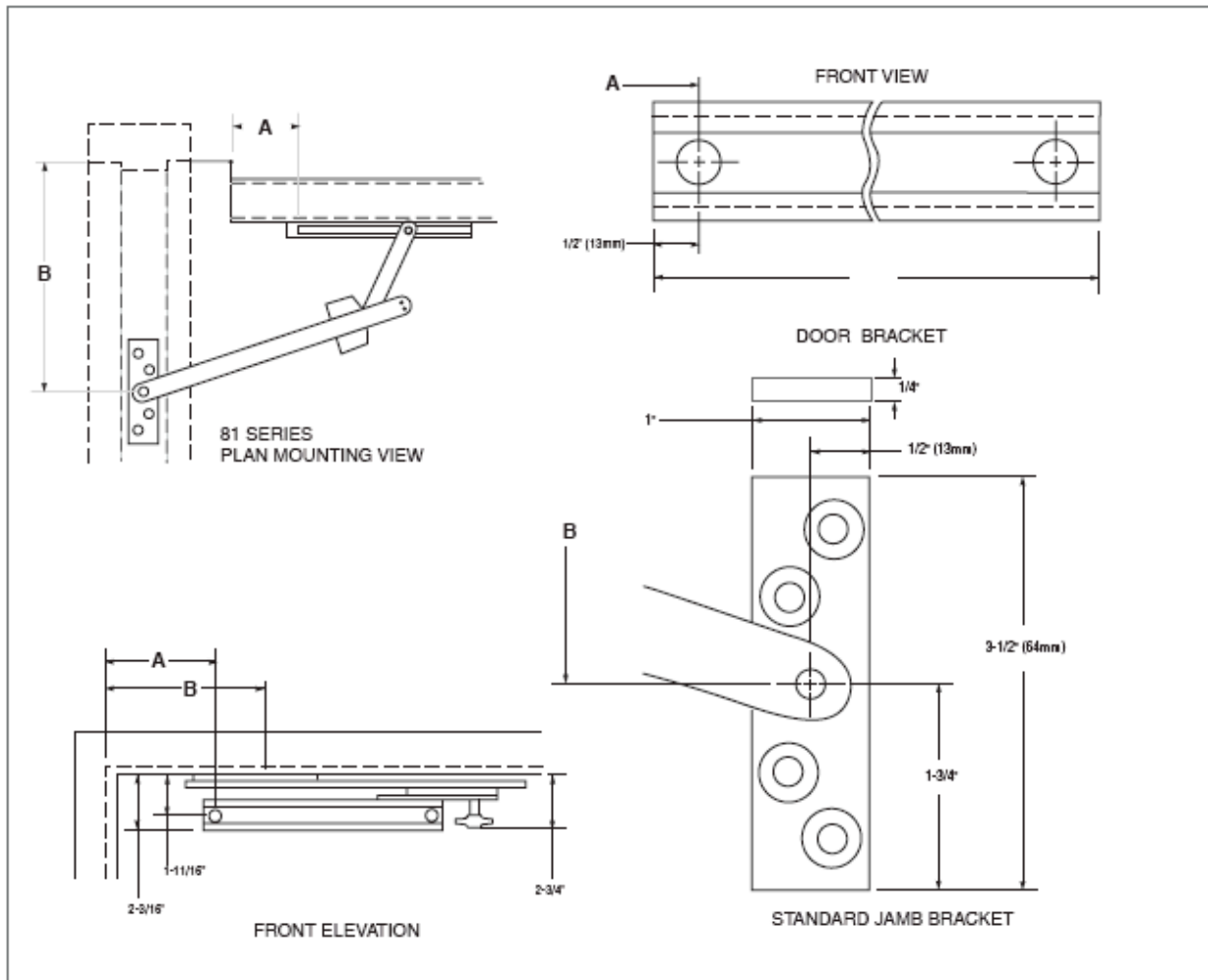
The Hold-Open mechanism is selective and may be turned on or off with a simple turn of the thumbturn. In the "off" position, these models act as stops and shock absorbers. In the "on" position, they hold the door open at a preset position between 85° and 110°. The Hold-Open force is not adjustable in the 81H Series.

81S Series Stop-Only

(Suffix S) When the Hold-Open function is not required, the Stop-Only models provide the same effective door control, without the Hold-Open feature. The Stop-Only model may be used on fire doors.



Your ONE-STOP Shop



SIZE	BUTTS/OFFSET PIVOTS			CENTER HUNG		
	DOOR OPENING	STOP ONLY	HOLD OPEN	DOOR OPENING	STOP ONLY	HOLD OPEN
1	---	---	---	---	---	---
2	---	---	---	---	---	---
3	27-1/16"-33"	813S	813H	33-1/16"-39"	813S	813H
4	33-1/16"-39"	814S	814H	39-1/16"-45"	814S	814H
5	39-1/16"-45"	815S	815H	45-1/16"-51"	815S	815H
6	45-1/16"-51"	816S	816H	51-1/16"-59"	816S	816H

Note: This chart illustrates the most common types of hinging and door opening sizes. For unusual door details, contact Glynn-Johnson for availability.

G-J Model	BHMA*	FED. Spec.
813-816 H	C03S11	G-J 80
813-816 S	C03S41	G-J 80

* First numeral (0) designates optional material

To specify:

Brass material, change 0 to 1 (i.e. C13S11)

Stainless Steel material, change 0 to 5 (i.e. C51511)

Steel material, change 0 to 8 (i.e. C83511)